

SEGA™ SERVICE MANUAL

GENESIS II / MEGA DRIVE II (PAL-B/I/G, RGB)



NO.	001-2
ISSUED	DECEMBER, 1993

SUPPLEMENT (Version 1)

CONTENTS

1. DIFFERENCES BETWEEN Ver.0 AND Ver.1.....	2
1-1. Schematic Diagram	2
1-2. Difference Table and Parts List	3
2. SCHEMATIC DIAGRAM (Version 1)	5
3. CIRCUIT BOARD DIAGRAM (Version 1)	11
4. PARTS SPECIFICATIONS	20

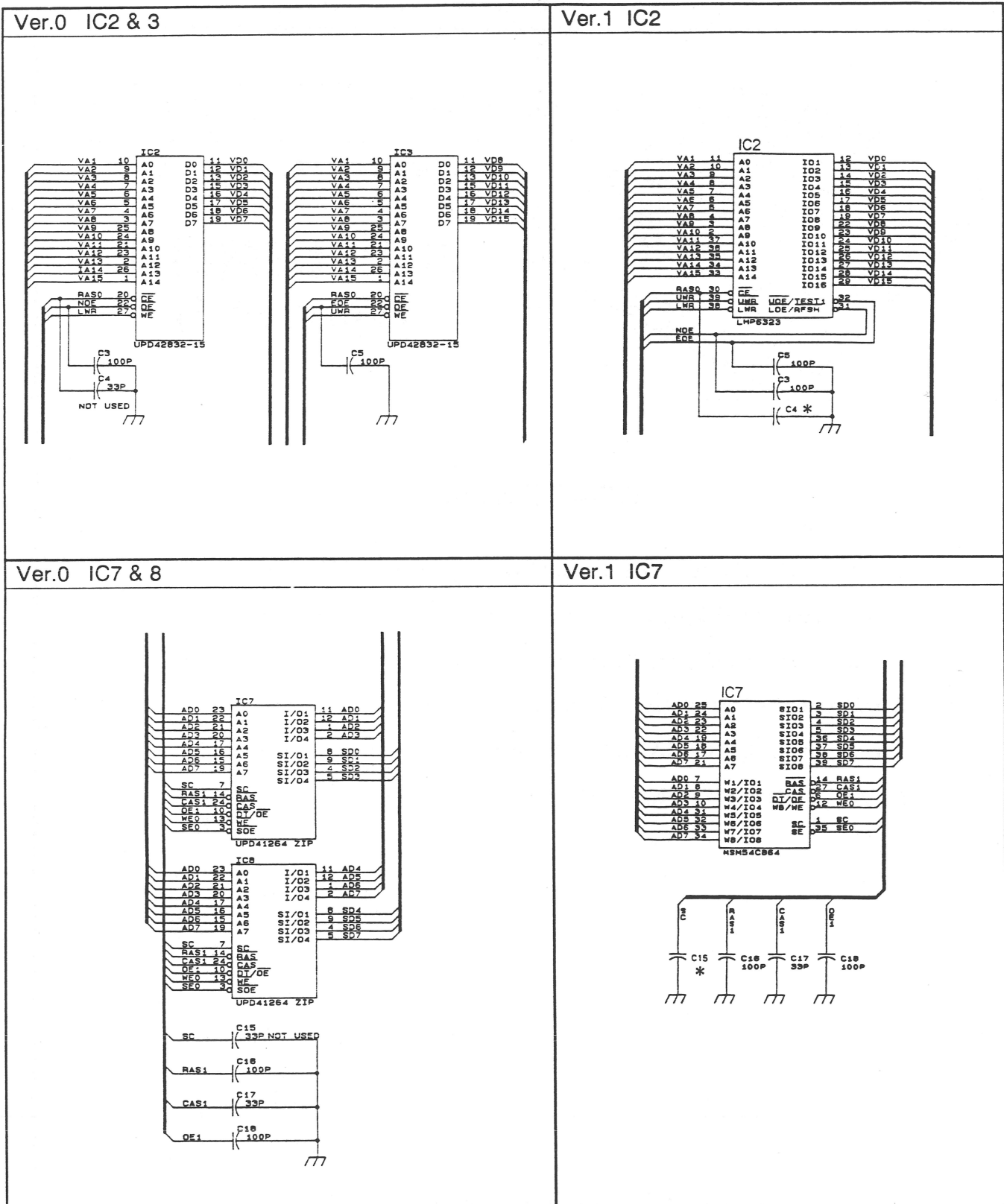
Sega Enterprises, Ltd.

BEFORE USING THIS SERVICE MANUAL

- This service manual includes the MEGA DRIVE II /GENESIS II Ver. 1 data.

1. DIFFERENCES BETWEEN Ver.0 AND Ver.1

1-1. Schematic Diagram



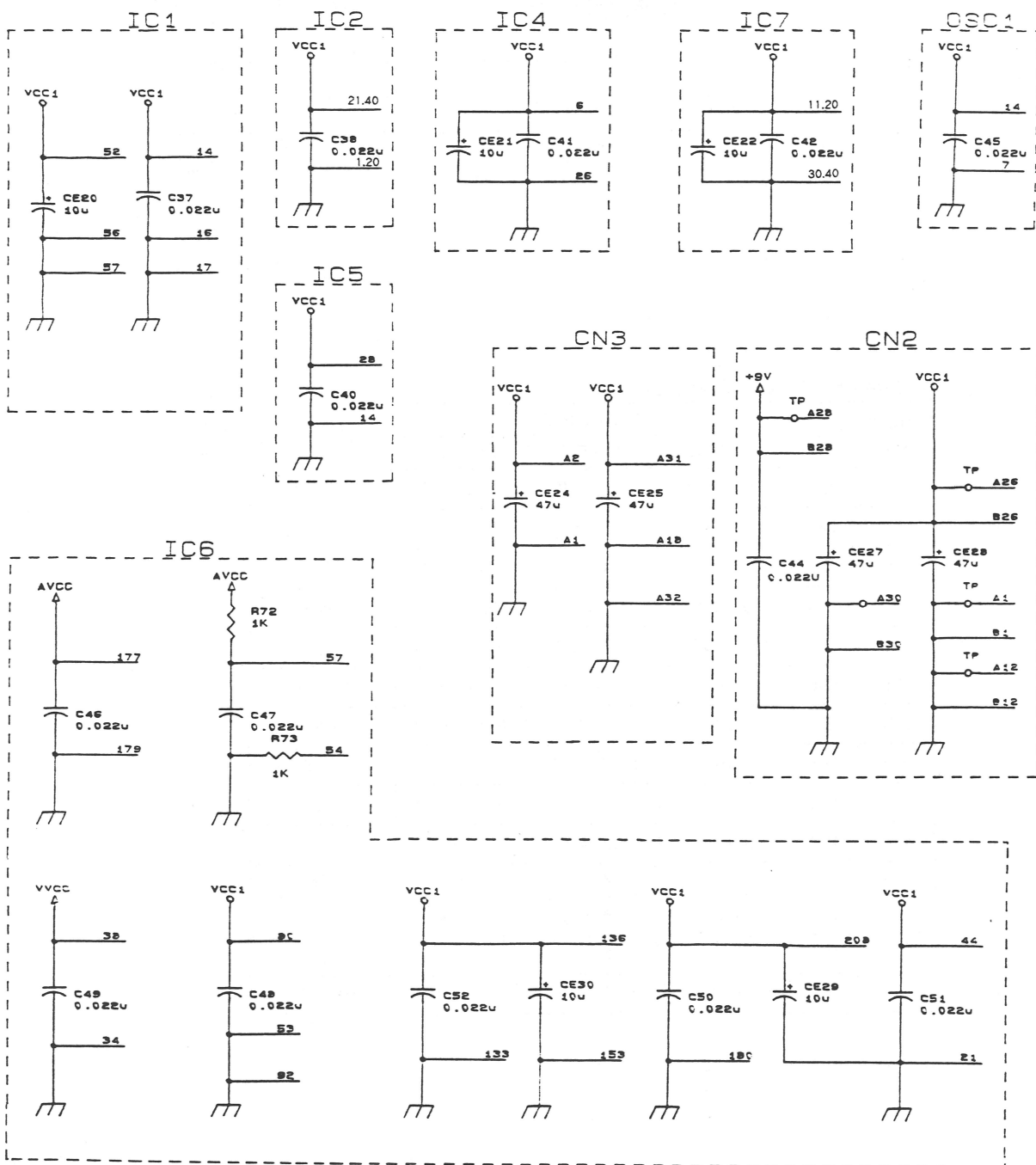
* Difference Table for Diagram - 1

CIRCUIT No.	GRID	GENESIS II			MEGA DRIVE II
		TYPE-S	TYPE-F	TYPE-SM	
C1	A-1	20pF *1	20pF *1	20pF *1	NOT USED
C4	A-3	47pF *2	47pF *2	47pF *2	NOT USED
C9	D-6	NOT USED	NOT USED	NOT USED	47pF
C10	C-5	NOT USED	NOT USED	NOT USED	10pF
C15	D-1	1K *3	1K *3	1K *3	NOT USED
OSC1	C-5	53.693175MHz			53.203424MHz

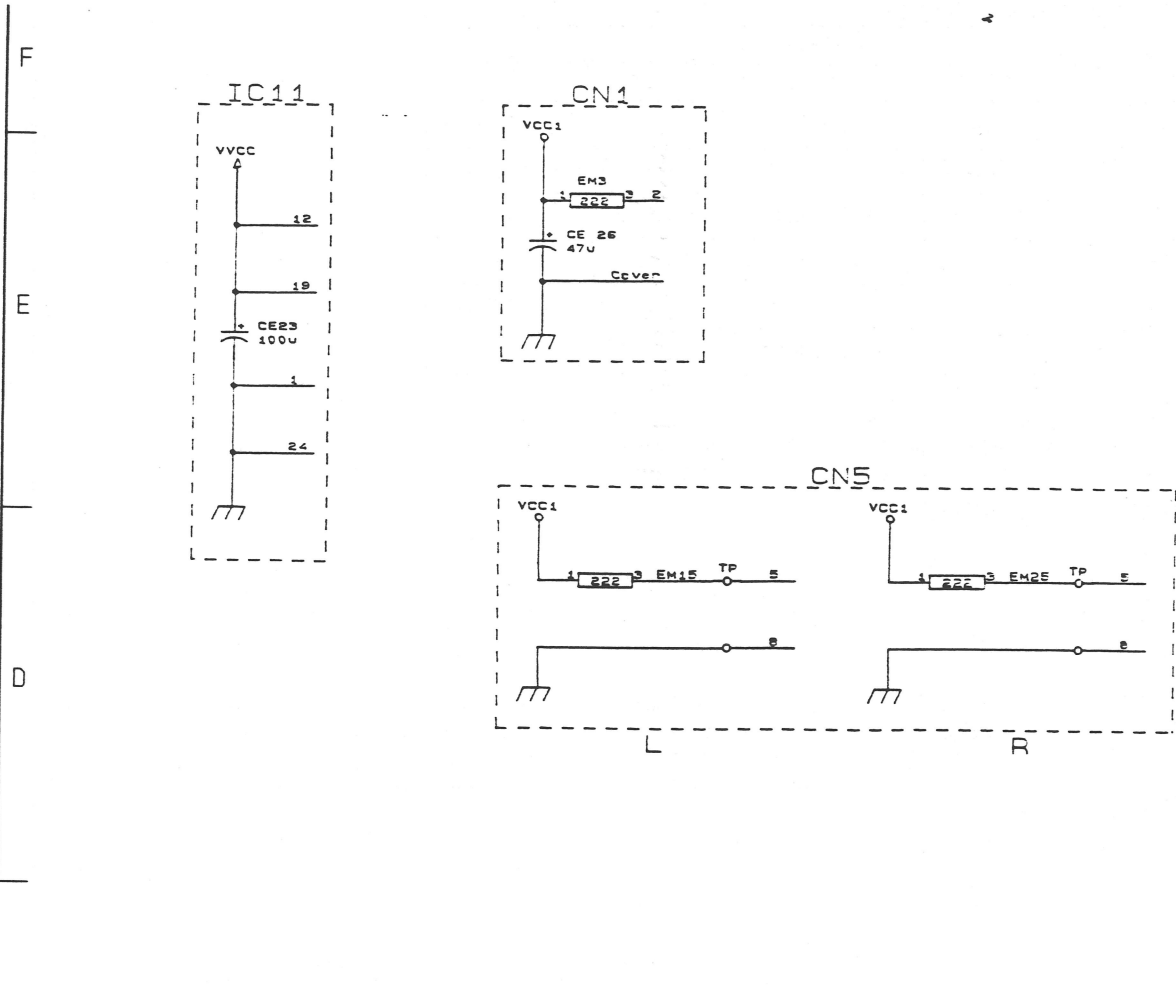
Notes:

- * 1: To be mounted when part No.315-5660-01 or 315-5708-01 is used for IC6.
- * 2: To be mounted when part No.315-5708-01 is used for IC6.
- * 3: To be mounted when part No.315-5660-01 is used for IC6.

2-2. Schematic Diagram-2



2-3. Schematic Diagram-3



* Difference Table for Diagram - 4

CIRCUIT No.	GRID	GENESIS II			MEGA DRIVE II
		TYPE-S	TYPE-F	TYPE-SM	
IC11	E-6	CXA1145M	MB3154PF	KA2195D	MB3514PF
C29	D-7	0.01 μ F	0.01 μ F	NOT USED	0.01 μ F
C32	E-0	180pF	15pF	NOT USED	15pF
C57	D-5	NOT USED	100pF	NOT USED	100pF
C62	D-7	NOT USED	NOT USED	NOT USED	12pF
CE14	D-6	10 μ F	220 μ F	10 μ F	220 μ F
R47	E-6	1.2K	12K	NOT USED	12K
R54	D-6	24K	NOT USED	24K	NOT USED
R55	D-6	1K	10K	NOT USED	10K
R57	D-7	330 OHM	330 OHM	NOT USED	1K
R61	E-5	10K	4.7K	10K	4.7K
L2	E-7	100 μ H	100 μ H	NOT USED	100 μ H
L3	D-7	12 μ H	12 μ H	NOT USED	12 μ H
L6	D-7	NOT USED	NOT USED	NOT USED	100 μ H

A

1

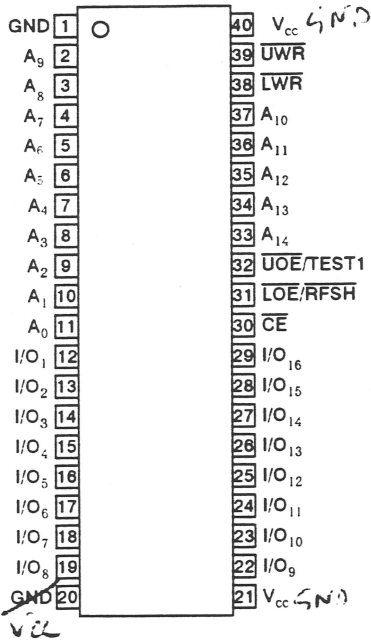
2

3

4

IC7 315 - 0795 - 80
IC MSM54C864-80JS

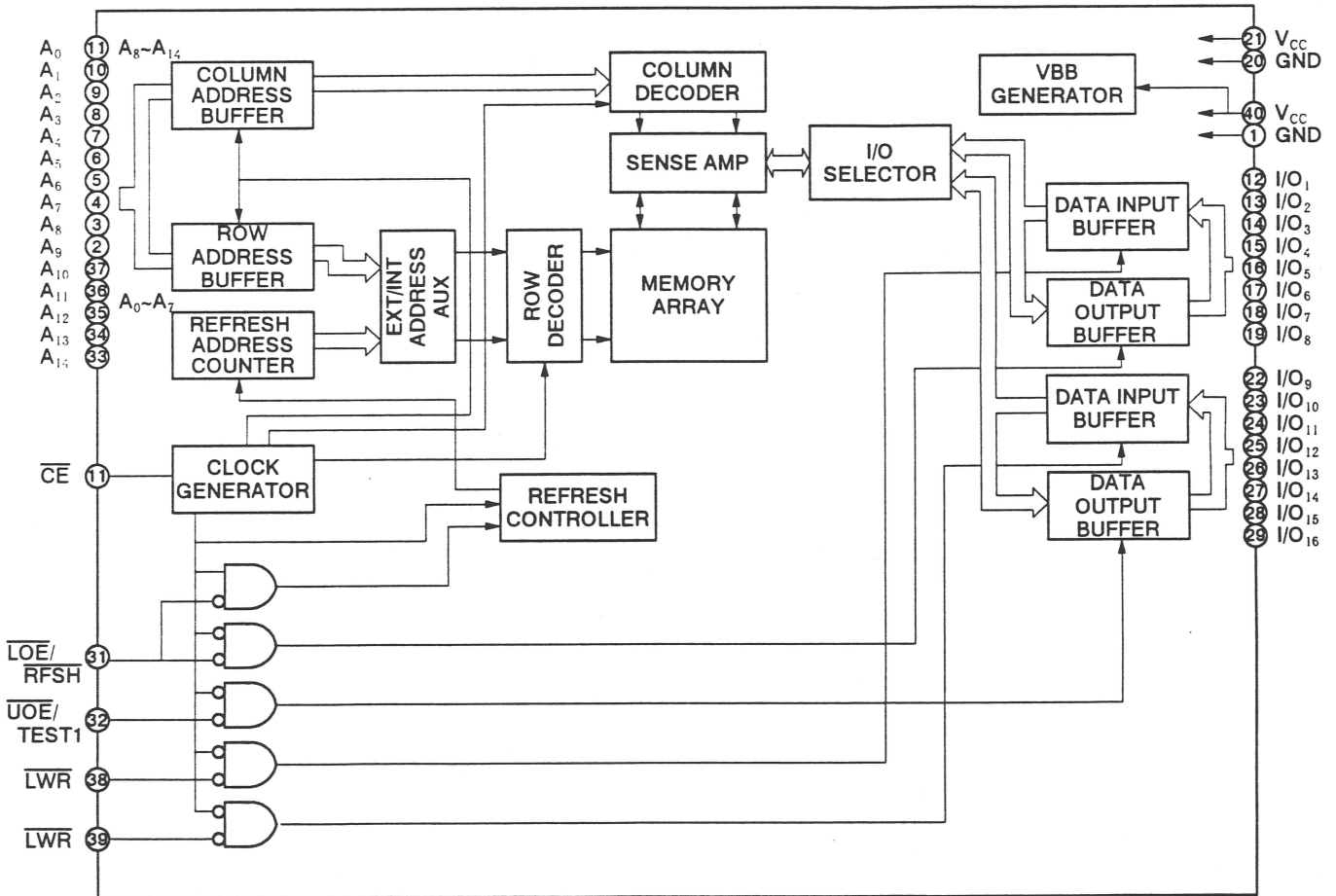
■ Top View & Pin Layout



■ Pin name

Pin Name	Function
A ₀ ~A ₁₄	Address input
$\overline{\text{UWR}}/\text{UWR}$	Write enable
$\overline{\text{LOE}}/\text{RFSH}, \overline{\text{UOE}}$	Output enable/refresh input
$\overline{\text{CE}}$	Chip enable input
I/O ₁ ~I/O ₁₆	Data input/output
V _{cc}	Power supply
GND	Ground

■ Block Diagram



SEGA™